

hanskonner

HPW9231I

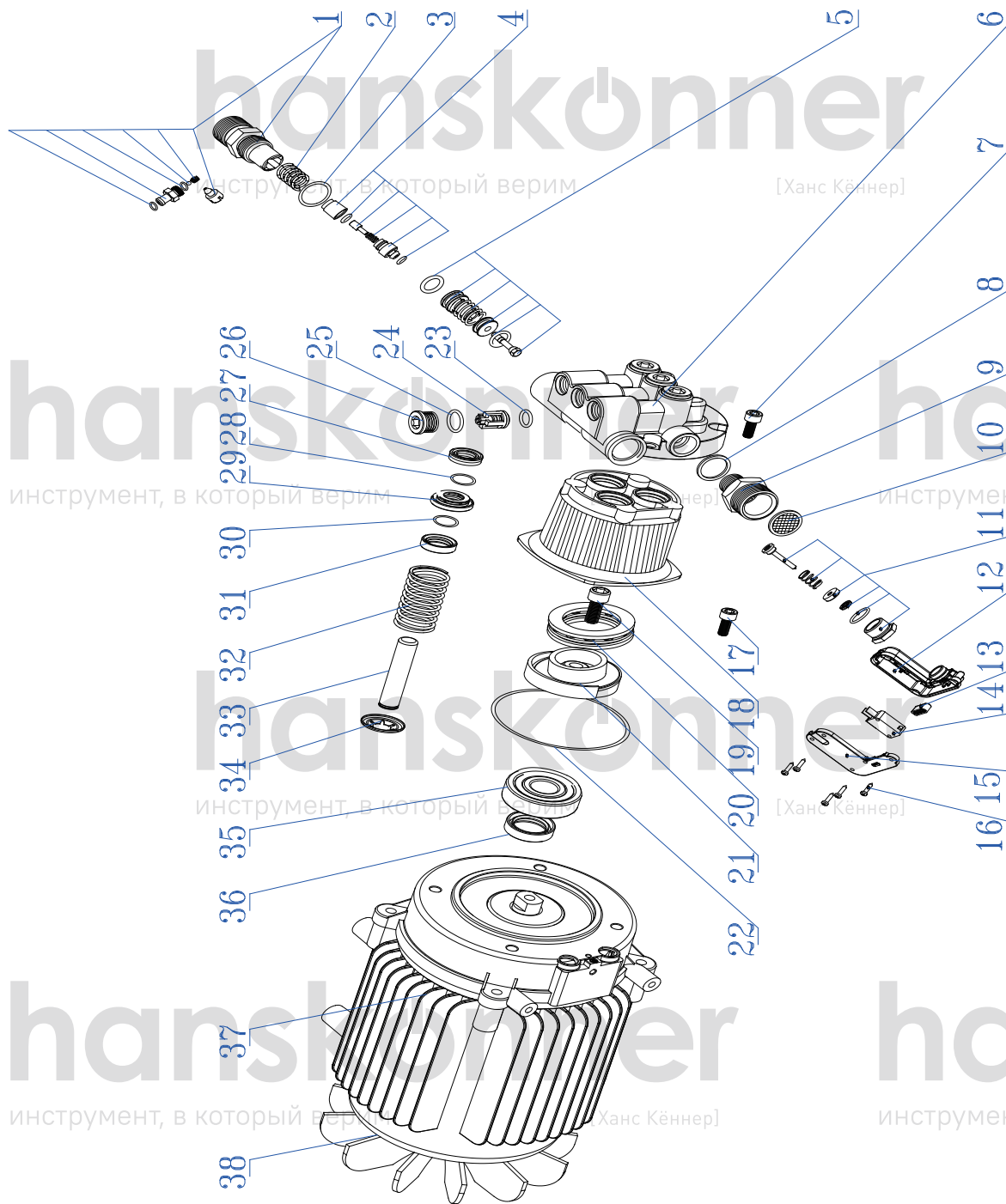
NO.	DESCRIPTION	NO.	DESCRIPTION
1	TURBO NOZZLE	41	FLAP GASKET $\phi 6$
2	KNOB ASS.	42	CABLE HOOK
3	LOGO PLATE	43	RETRACTABLE HANDLE'S BUTTON
4	FRONT COVER	44	RATING LABEL
5	SCREW ST4X16	45	SCREW ST4.8X16
6	NAGER	46	REAR PLATE
7	CABLE SEAL	47	LEFT LOCK BLOCK
8	SCREW ST4X16	48	GUIDE RAIL FOR LEFT LOCK BLOCK
9	COVER FOR JUNCTION BOX	49	SCREW ST4.8X16
10	MAIN SWITCH	50	END CAP FOR RETRACTABLE ROD
11	JUNCTION BOX	51	GUIDE RAIL FOR RIGHT LOCK BLOCK
12	PRESS PLATE OF MOTOR	52	CLEANING PIN
13	MOTOR HOOD	53	SPRAY GUN AG1275
14	INSIDE HOSE	54	WHEEL COVER
15	VIBRATION DAMPING OF MOTOR	55	ELASTIC COLLAR $\phi 14$
16	BOTTOM COVER	56	FLAP GASKET $\phi 16$
17	WARNING LABEL	57	WHEELS
18	SCREW ST4.8X16	58	WHEEL AXLE
19	SERRATED GASKET $\phi 8$	59	DASH PLATE
20	SCREW M8X30	60	SCREW ST4X16
21	RIGHT LOCK BLOCK	61	OUTLET SHEATH
22	SPRING	62	OUTLET PLATE
23	HOSE REEL HANDLE ASSY	63	SCREW ST4X16
24	SCREW ST4.8X16	64	CAPACITOR
25	LEFT HOSE REEL	65	SCREW ST4X16
26	10M PRESSURE HOSE	66	7M POWER CABLE
27	RIGHT HOSE REEL	67	SCREW ST4.8X16
28	TEE COMPONENT	68	PUMP FIXING SEAT
29	SCREW M5X40	69	MOTOR PUMP ASS.
30	HANDLE	70	SERRATED GASKET $\phi 4$
31	CAP NUT M5	71	SPRING WASHER
32	RETRACTABLE HANDLE	72	SCREW M4X8
33	GUIDE RAIL FOR LOCK BLOCK	73	SCREW ST4.8X16
34	HANDLE CAP	74	GUN HOLDER
35	SCREW ST4.8X16	75	SCREW ST4.8X16
36	NOZZLE MOUTING BRACKET	76	FRONT DECORATION PLATE
37	NOZZLE FIXING SLEEVE	77	TRANSPARENT MALE CONNECTOR
38	QUICK NOZZLE WHITE GREEN	78	FOAM PRODUCER 02
39	SCREW ST4.8X16		
40	SCREW ST4.8X16		

hanskonner

HPW9231I-EX-RU231221-1

который верим

[Ханс Кеннер]



HPW9231I

NO.	DESCRIPTION
1	WATER OUTLET JOINT ASSY
2	SPRING
3	O-RING, $\Phi 22 \times 2.4$
4	PRESSURE LIMITED VALVE
5	PISTON ASSY
6	PUMP HEAD
7	BOLT M8X30+M8X20
8	O-RING, $\Phi 18 \times 2.4$
9	WATER INLET JOINT
10	FILTER
11	CONNECTING NUT ASSY
12	SWITCH SHELL RIGHT
13	SLIDER
14	SWITCH
15	SWITCH SHELL LEFT
16	SCREW ST3X15
17	BOLT M8X25
18	PUMP BODY
19	BOLT M8X20
20	BEARING , 51207
21	BEARING SEAT
22	O-RING $\Phi 90 \times 2.65$
23	O-RING $\Phi 13 \times 1.9$
24	INLET&OUTLET VALVE
25	O-RING $\Phi 16 \times 1.9$
26	VALVE CAP
27	V-RING $\Phi 14 \times 20 \times 5$
28	O-RING $\Phi 18 \times 1.9$
29	INTERSPACE RINGER
30	O-RING $\Phi 24 \times 1.9$
31	REINFORCED SEAL $\Phi 14 \times 22 \times 5$
32	SPRING
33	PLUNGER
34	CLIP
35	BEARING 6303
36	OIL SEAL $\Phi 20 \times 30 \times 9$
37	INDUCTION MOTOR
38	FAN

HPW9231I-EX-RU231221-1